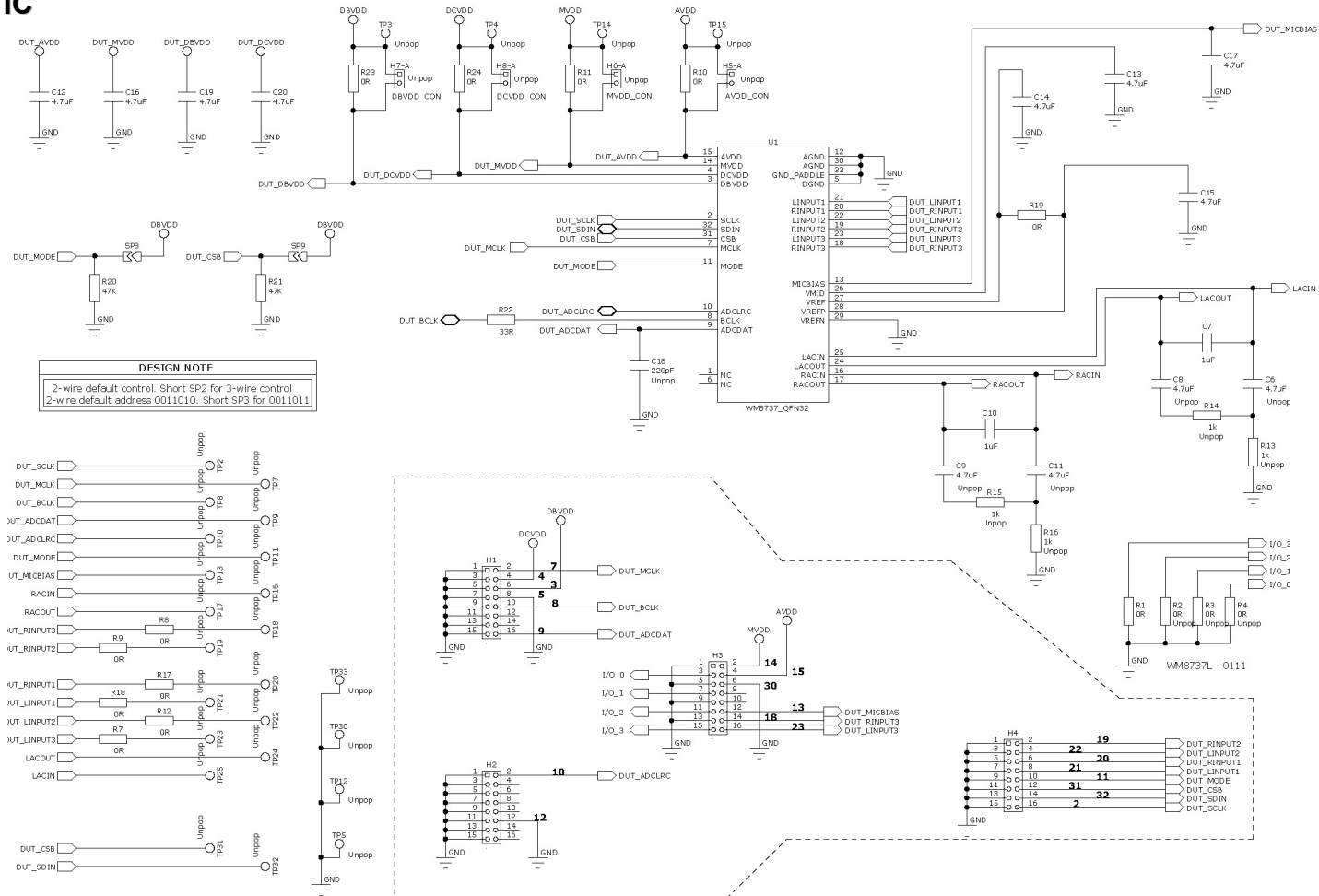


<b>DOC TYPE:</b>	SCHEMATIC AND LAYOUT
<b>BOARD REFERENCE:</b>	WM8737-6097-FL32-M
<b>BOARD TYPE:</b>	Customer Mini
<b>WOLFSON DEVICE(S):</b>	WM8737
<b>DATE:</b>	September 2007
<b>DOC REVISION:</b>	Rev 1.0

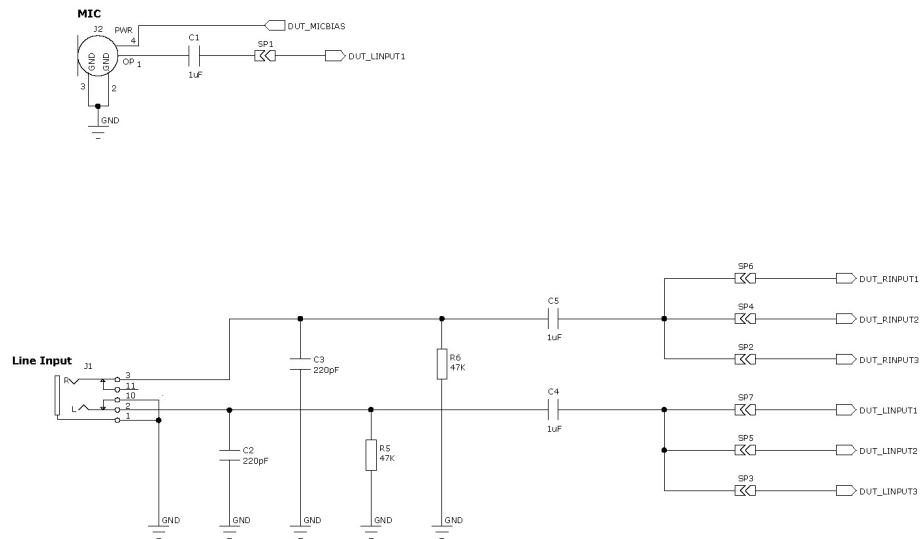
### SCHEMATIC



**DESIGN NOTE**

2-wire default control. Short SP2 for 3-wire control  
 2-wire default address 0011010. Short SP3 for 0011011

**SCHEMATIC**



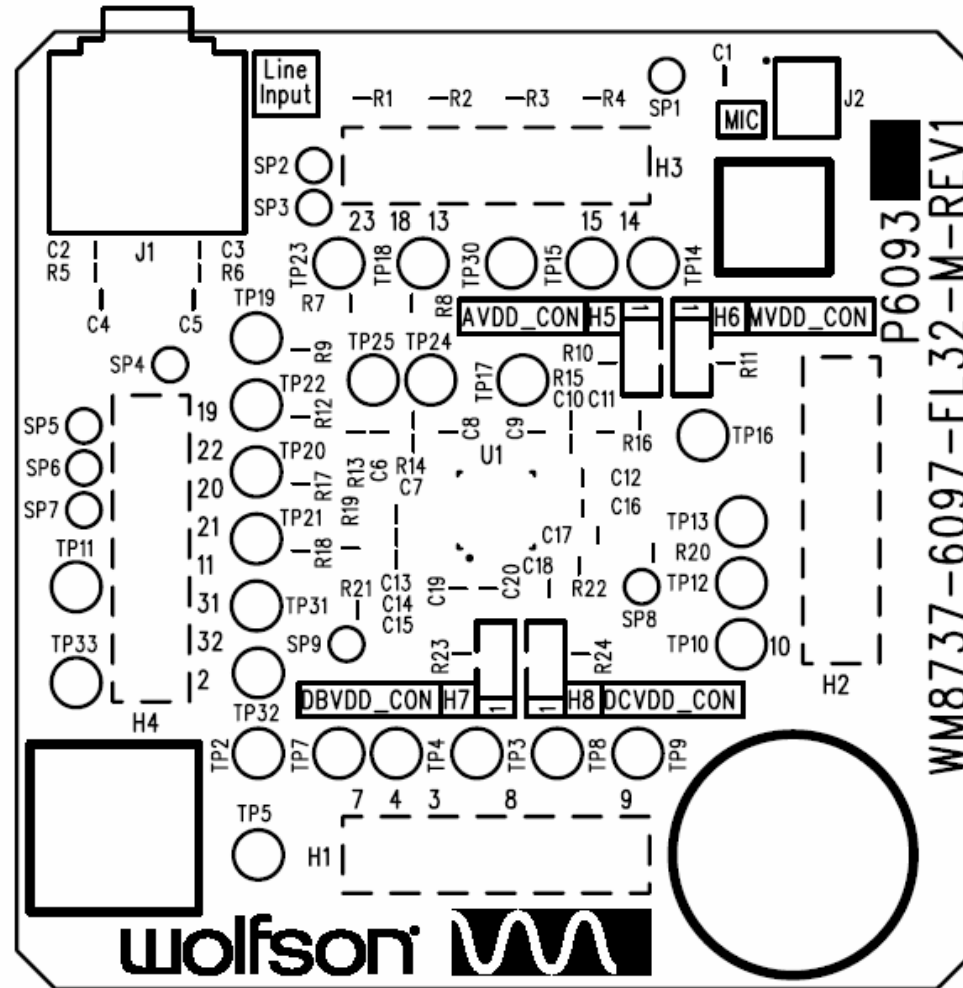
**Sheet 1: Analogue Inputs**

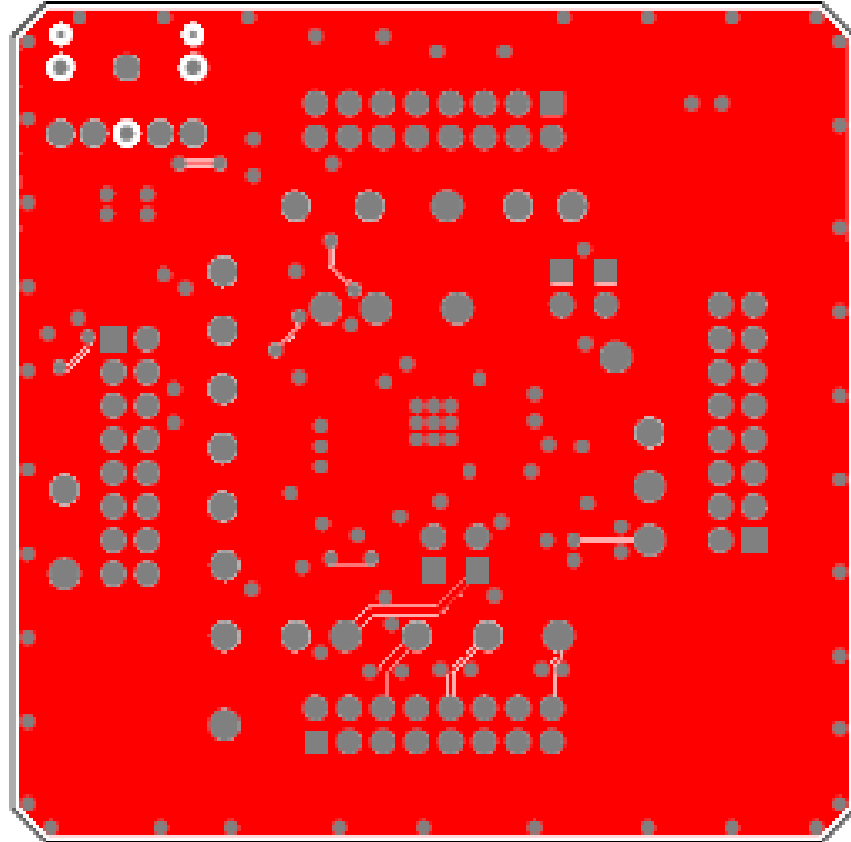
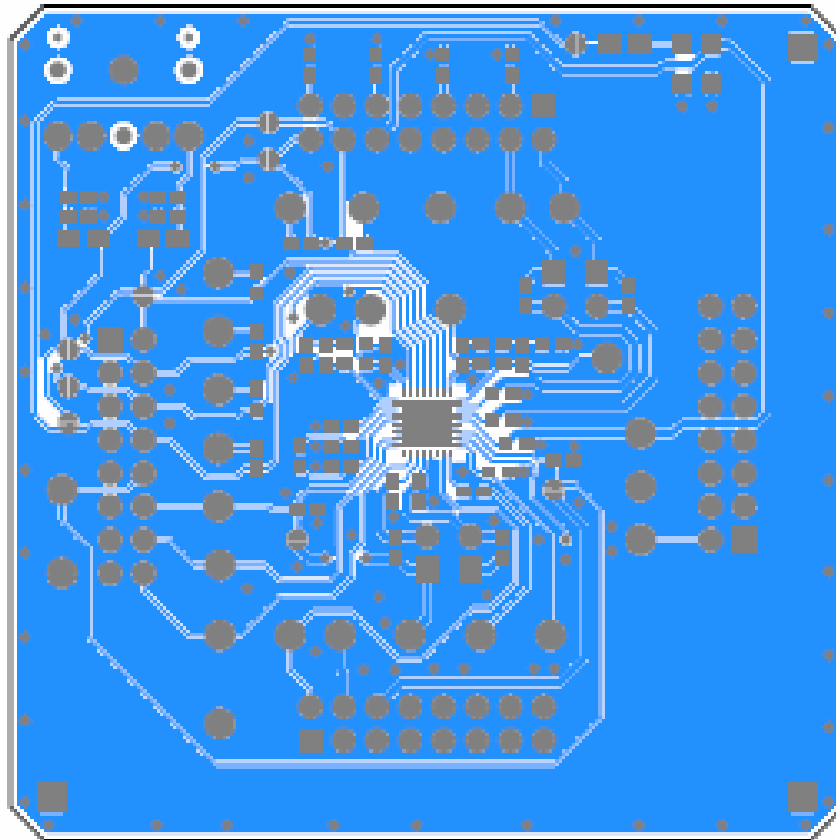
**BILL OF MATERIALS (BOM)**

Item	RefDes	Description	Manufacturer	Manufacturer's Part Number
1	J1	3.5mm Jack Socket 6.5mm Centre Height	Technik Industrial	TSH-3565-PBT-TIC-T
2	J2	Silicon Surface Mount Microphone, Unamplified	Knowles Acoustics	SPM0102NE3-2
3	C12 C13 C14 C15 C16 C17 C19 C20	4.7uF 0603 SMD Ceramic Capacitor 6.3V X5R	Murata	GRM188R60J475KE19D
4	MISC2	Lead-free label, 15mm round	Brady	805794
5	C2 C3	220pF 0603 SMD Ceramic Capacitor 50V NPO	AVX	06035A221JAT2A
6	R22	33R 0603 SMD chip resistor 1% 0.063W	Multicomp	MC 0.063W 0603 1% 33R
7	R5 R6 R20 R21	47K 0603 SMD chip resistor 1% 0.063W	Multicomp	MC 0.063W 0603 1% 47K
8	R1 R7 R8 R9 R10 R11 R12 R17 R18 R19 R23 R24	0R 0603 SMD chip resistor 1% 0.063W	Multicomp	MC 0.063W 0603 0R
9	C1 C4 C5	1uF 0805 SMD Ceramic Capacitor 10V X7R	Multicomp	N0805R105KCT
10	C7 C10	1uF 0603 SMD Ceramic Capacitor 6.3V X5R	Murata	GRM188R60J105KA01D
11	H1 H2 H3 H4	2x8 2.54mm pitch PCB Socket Strip VERTICAL	SAMTEC	SSQ-108-02-G-D
12	PCB1	PCB	Kelan	WM8737-6097-FL32-M-REV1
13	U1	WM8737 Low Power Stereo ADC with Mic Pre-amp for Portable Applications QFN	Wolfson Microelectron ics	WM8737LEFL
<b>Unpop</b>				
14	C6 C8 C9 C11	4.7uF 0603 SMD Ceramic Capacitor 6.3V X5R	Murata	GRM188R60J475KE19D
15	H5 H6 H7 H8	1x2 PCB Pin Header 0.1" VERTICAL	Harwin	M20-9990245
16	C18	220pF 0603 SMD Ceramic Capacitor 50V NPO	AVX	06035A221JAT2A
17	R13 R14 R15 R16	1k 0603 SMD chip resistor 1% 0.063W	Multicomp	MC 0.063W 0603 1% 1K
18	R2 R3 R4	0R 0603 SMD chip resistor 1% 0.063W	Multicomp	MC 0.063W 0603 0R

**LAYOUT**

**Top Silkscreen**





**APPLICATION SUPPORT**

If you require more information or require technical support, please contact the Wolfson Microelectronics Applications group through the following channels:

Email: apps@wolfsonmicro.com  
Telephone Apps: +44 (0) 131 272 7070  
Fax: +44 (0) 131 272 7001  
Mail: Applications Engineering at the address on the last page

or contact your local Wolfson representative.

Additional information may be made available on our web site at: <http://www.wolfsonmicro.com>

**IMPORTANT NOTICE**

Wolfson Microelectronics plc ("Wolfson") products and services are sold subject to Wolfson's terms and conditions of sale, delivery and payment supplied at the time of order acknowledgement.

Wolfson warrants performance of its products to the specifications in effect at the date of shipment. Wolfson reserves the right to make changes to its products and specifications or to discontinue any product or service without notice. Customers should therefore obtain the latest version of relevant information from Wolfson to verify that the information is current.

Testing and other quality control techniques are utilised to the extent Wolfson deems necessary to support its warranty. Specific testing of all parameters of each device is not necessarily performed unless required by law or regulation.

In order to minimise risks associated with customer applications, the customer must use adequate design and operating safeguards to minimise inherent or procedural hazards. Wolfson is not liable for applications assistance or customer product design. The customer is solely responsible for its selection and use of Wolfson products. Wolfson is not liable for such selection or use nor for use of any circuitry other than circuitry entirely embodied in a Wolfson product.

Wolfson's products are not intended for use in life support systems, appliances, nuclear systems or systems where malfunction can reasonably be expected to result in personal injury, death or severe property or environmental damage. Any use of products by the customer for such purposes is at the customer's own risk.

Wolfson does not grant any licence (express or implied) under any patent right, copyright, mask work right or other intellectual property right of Wolfson covering or relating to any combination, machine, or process in which its products or services might be or are used. Any provision or publication of any third party's products or services does not constitute Wolfson's approval, licence, warranty or endorsement thereof. Any third party trade marks contained in this document belong to the respective third party owner.

Reproduction of information from Wolfson datasheets is permissible only if reproduction is without alteration and is accompanied by all associated copyright, proprietary and other notices (including this notice) and conditions. Wolfson is not liable for any unauthorised alteration of such information or for any reliance placed thereon.

Any representations made, warranties given, and/or liabilities accepted by any person which differ from those contained in this datasheet or in Wolfson's standard terms and conditions of sale, delivery and payment are made, given and/or accepted at that person's own risk. Wolfson is not liable for any such representations, warranties or liabilities or for any reliance placed thereon by any person.

**ADDRESS:**

Wolfson Microelectronics plc  
Westfield House  
26 Westfield Road  
Edinburgh  
EH11 2QB  
United Kingdom  
Tel :: +44 (0)131 272 7000  
Fax :: +44 (0)131 272 7001  
Email :: [apps@wolfsonmicro.com](mailto:apps@wolfsonmicro.com)