

WM8761 Evaluation Board User Handbook

INTRODUCTION

The WM8761 is a 24-bit 192kHz Stereo DAC.

This evaluation platform and documentation should be used in conjunction with the latest version of the WM8761 datasheet. The datasheet gives device functionality information as well as timing and data format requirements.

This evaluation platform has been designed to make it easy to gain familiarity with the WM8761 and to allow optimum performance to be measured.

GETTING STARTED

PACKING LIST

The WM8761 Evaluation Kit contains:

- 1 x WM8761-EV1B Evaluation Board (Labelled WM8761_EV1)
- 1 x WM8761-EV1M Evaluation Board User Handbook

CUSTOMER REQUIREMENTS

Minimum Equipment Requires:

- D.C. Power supply of +2.7 to +5.5V (See WM8761 Datasheet for details)
- D.C. Power supply of +5V.
- D.C. Power supply of +/- 12V

Digital Input Signal Path Requires:

- Digital coaxial or optical data source

Analog Output Path Requires:

- Two Audio receivers, for LEFT and RIGHT outputs.

BOARD FUNCTIONALITY

This evaluation platform has been designed as a simple means of evaluating the WM8761 24-bit 192kHz Stereo DAC in a 14-pin SOIC package. It is versatile and can be configured for most applications.

There are two options for inputting digital data into the WM8761 evaluation board. There is a coaxial input (J12) via a standard phono connector or an optical input (U3) via a standard optical receiver module. A direct digital input is available via one side of a 2x8 pin header (H1).

The outputs from the WM8761 are analog Left and Right stereo signals. These analog signals can be passed through active low pass filters before being made accessible via standard phono connectors; J10 (FILT_OUTL) and J11 (FILT_OUTR). Alternatively, non-filtered outputs can be made accessible via standard phono connectors; J7 (VOU TL) and J15 (VOU TR).

All WM8761 device pins are accessible for easy measurement via two 1x8pin headers (J8 and J13) running up each side of the device.

PCB MAIN CONNECTIONS

POWER SUPPLIES

CONNECTOR REFERENCE	CONNECTOR TYPE	SIGNAL REFERENCE	VOLTAGE LEVEL *
J1	4mm Panel Socket	+5V	5 VDC
J2	4mm Panel Socket	GND	0 VDC
J3	4mm Panel Socket	DVDD	2.7 to 5.5 VDC
J4	4mm Panel Socket	GND	0 VDC
J5	4mm Panel Socket	-12V	-12 VDC
J6	4mm Panel Socket	+12V	12 VDC

* Refer to the WM8761 datasheet for limitations on individual supply voltages.

Table 1 Power Connections

Using appropriate power leads with 4mm connectors, +2.7V to +5.5V should be applied to the DVDD panel socket J3. 5V should be applied to panel socket J1. +12V should be applied to panel socket J6 while -12V should be applied to panel socket J5. GND should be connected to panel sockets J2 and J4.

DIGITAL INPUTS

CONNECTOR REFERENCE	CONNECTOR TYPE	SIGNAL REFERENCE
J12	Phono Connector	DIGITAL_COXIAL INPUT (SPDIF)
U3	Optical Receiver (TOSLINK)	DIGITAL_OPTICAL INPUT (SPDIF)

Table 2 Digital Input Connections

ANALOG OUTPUTS

CONNECTOR REFERENCE	CONNECTOR TYPE	SIGNAL REFERENCE
J7	Phono Connector	VOU TL
J15	Phono Connector	VOU TR
J10	Phono Connector	FILT_OUTL
J11	Phono Connector	FILT_OUTR

Table 3 Digital Output Connections

INTERFACES

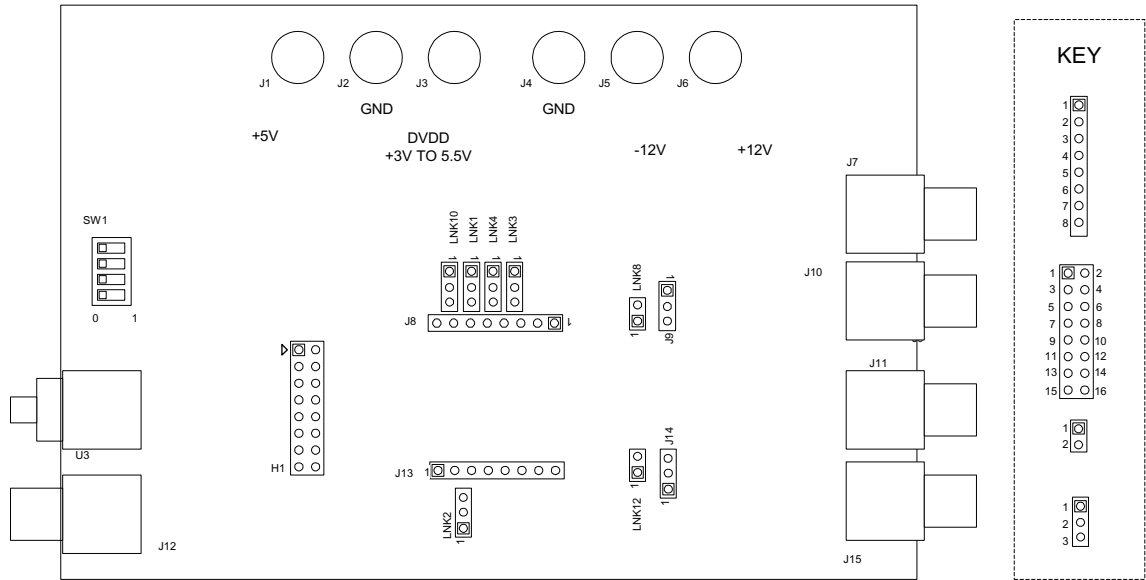


Figure 1 WM8761-EV1B Board Interfaces (Component Side)

HEADERS

J13	SIGNAL
1	LRCIN
2	DIN
3	BCKIN
4	NC
5	CAP
6	VOUTr
7	GND
8	GND

Table 4 WM8761 Headers

J8	SIGNAL
1	VDD
2	VOUTr
3	MUTE
4	NC
5	DEEMPH
6	FORMAT
7	MCLK
8	GND

H1	SIGNAL
1	SDATA
3	DGND
5	MCK
7	DGND
9	FSYNC
11	DGND
13	SCK
15	DGND

Table 5 Headers

H1	SIGNAL
2	DIN
4	DGND
6	MCLK
8	DGND
10	LRCIN
12	DGND
14	BCKIN
16	DGND

LINKS

LINKS	DESCRIPTION
LNK1	1-2 De-emphasis ON 2-3 De-emphasis OFF
LNK2	Not Populated
LNK3	1-2 Mute ON 2-3 Mute OFF
LNK4	Not Populated
LNK8	OPEN - VOUTL AC Coupled SHORT - VOUTL DC Coupled
LNK10	1-2 I2S or DSP 'early' mode 2-3 16-Bit Right Just. or DSP 'late' mode.
LNK12	OPEN - VOUTR AC Coupled SHORT - VOUTR DC Coupled
J9	1-2 Unfiltered VOUTL 2-3 Filtered VOUTL
J14	1-2 Unfiltered VOUTR 2-3 Filtered VOUTR

Table 6 Links

SWITCHES

SWITCH	SETTING				DESCRIPTION
	1	2	3	4	
					CS8414 Normal Audio Port Modes
SW1	0	1	0	x	I ² S
	1	0	1	x	16 Bit Right Justify

Table 7 Switches

BASIC TEST SETUP

The setup of the WM8761 device can be altered using the various links on the evaluation board. The following configuration, as shown below in Figure 2, sets the digital audio interface mode to I²S. It also configures de-emphasis OFF, mute OFF and AC coupled outputs with active filtering.

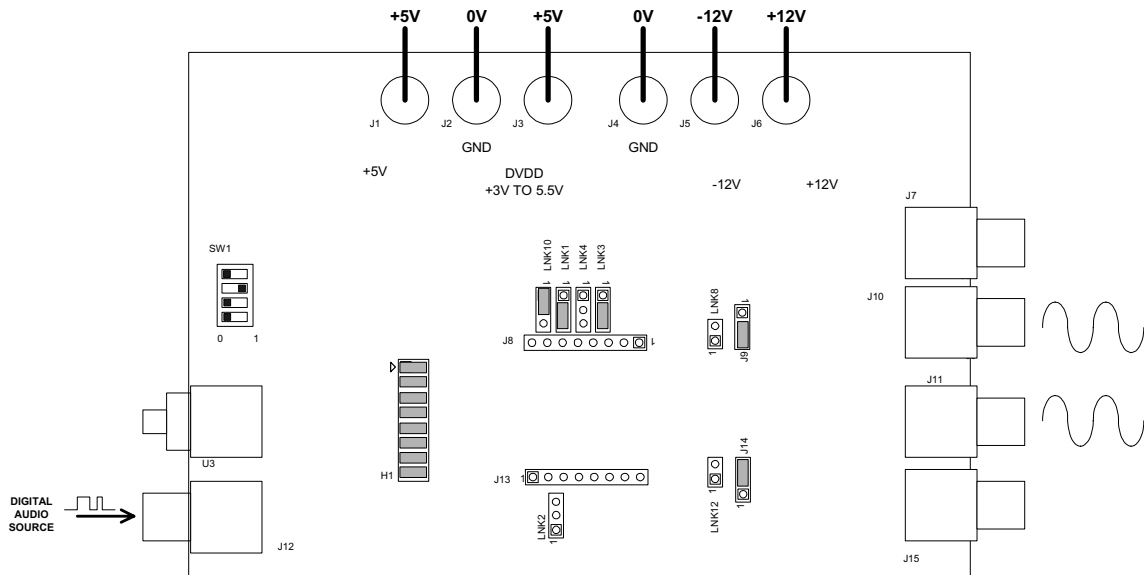


Figure 2 Basic Test Connection Diagram

The hardware settings required for the WM8761 Evaluation board are described in the table below.

LINKS & SWITCHES	DESCRIPTION
H1	Add 8 Links as shown in figure 11
SW1	Set to 0100 for I ² S Mode
LNK1	Add Link 2-3
LNK3	Add Link 2-3
LNK9	Add Link 2-3
LNK10	Add Link 1-2
LNK14	Add Link 2-3

Table 8 Basic Test Evaluation Board Hardware Settings

WM8761-EV1B SCHEMATIC

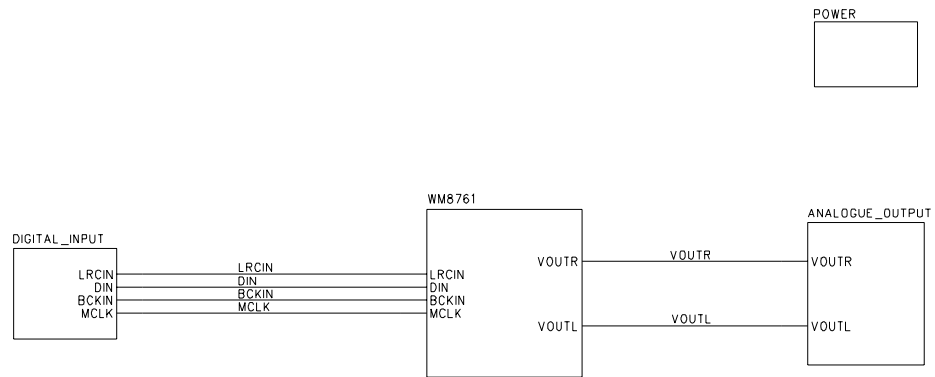


Figure 3 Functional Block Diagram

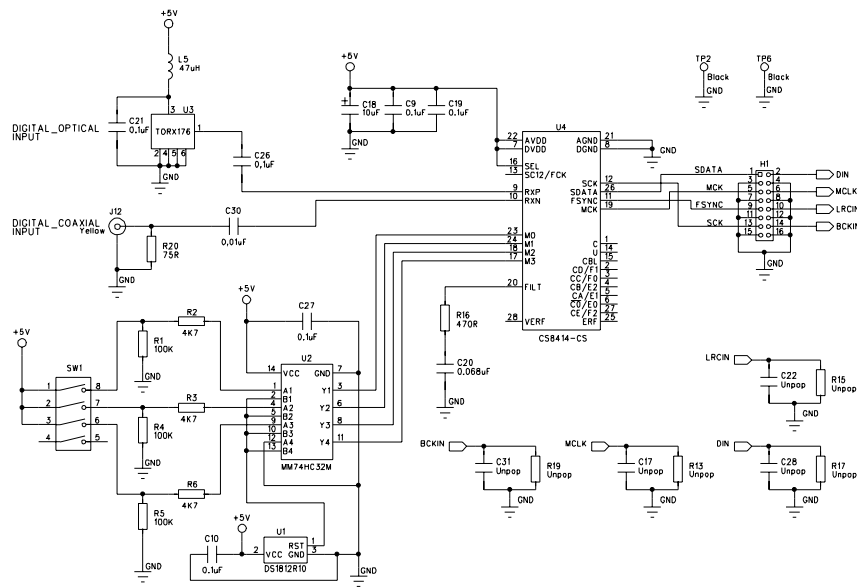


Figure 4 Digital Input

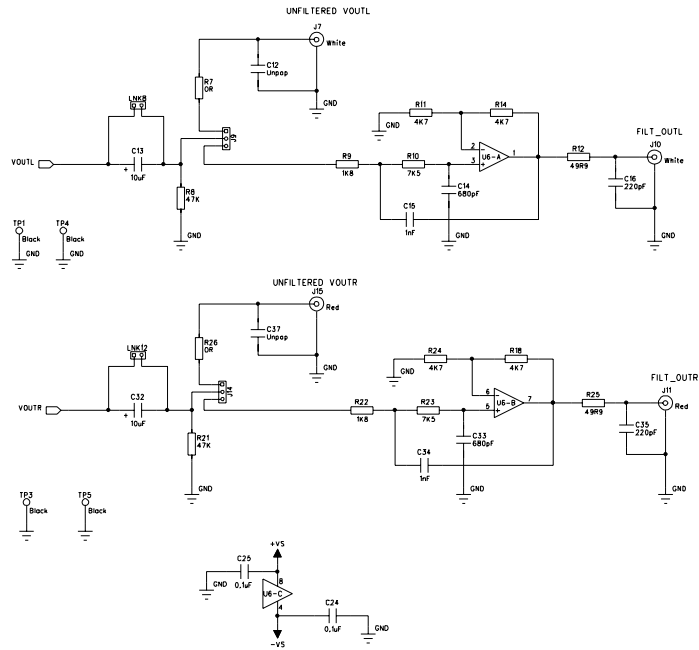


Figure 5 Analog Output

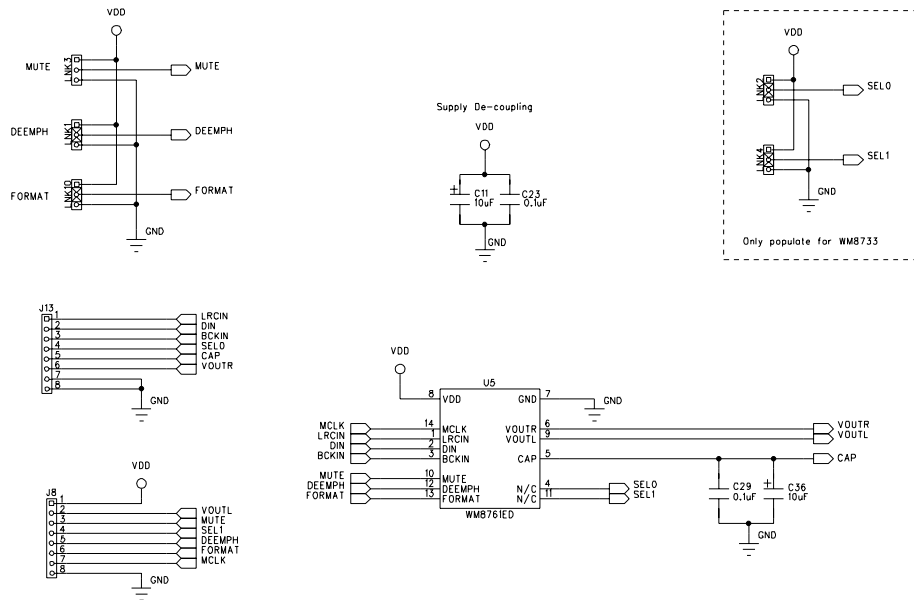


Figure 6 WM8761

WM8761-EV1M

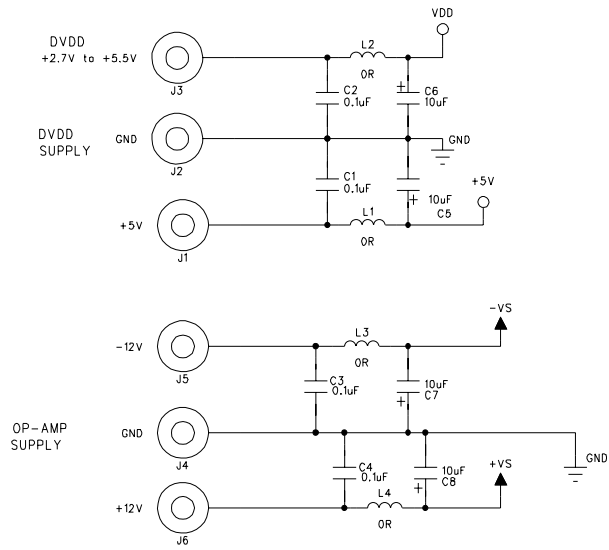


Figure 7 Power

WM8761-EV1B PCB LAYOUT

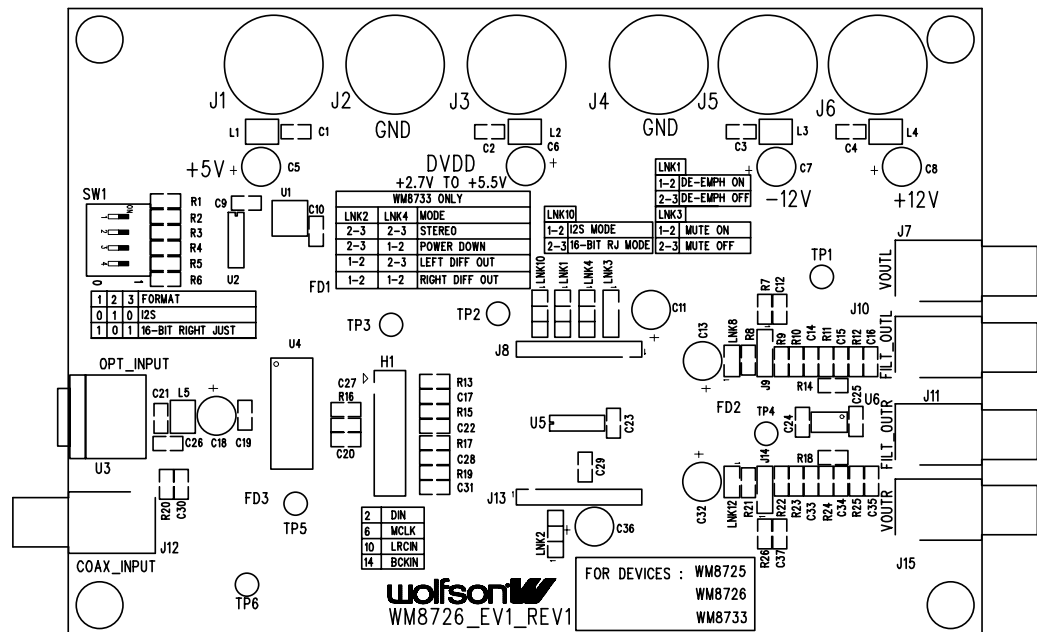


Figure 8 Top Layer Silkscreen

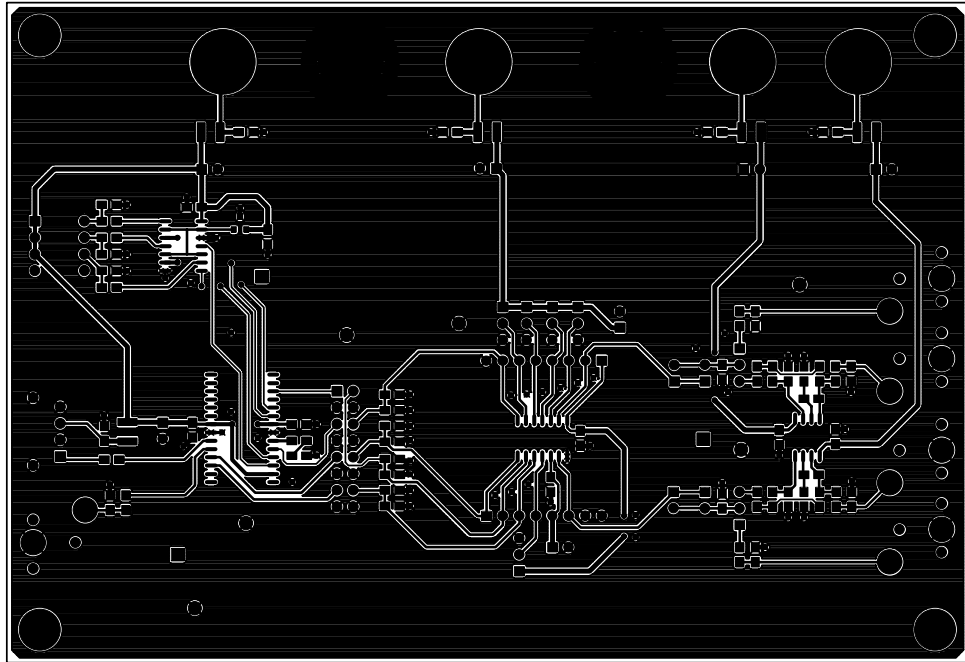


Figure 9 Top Layer

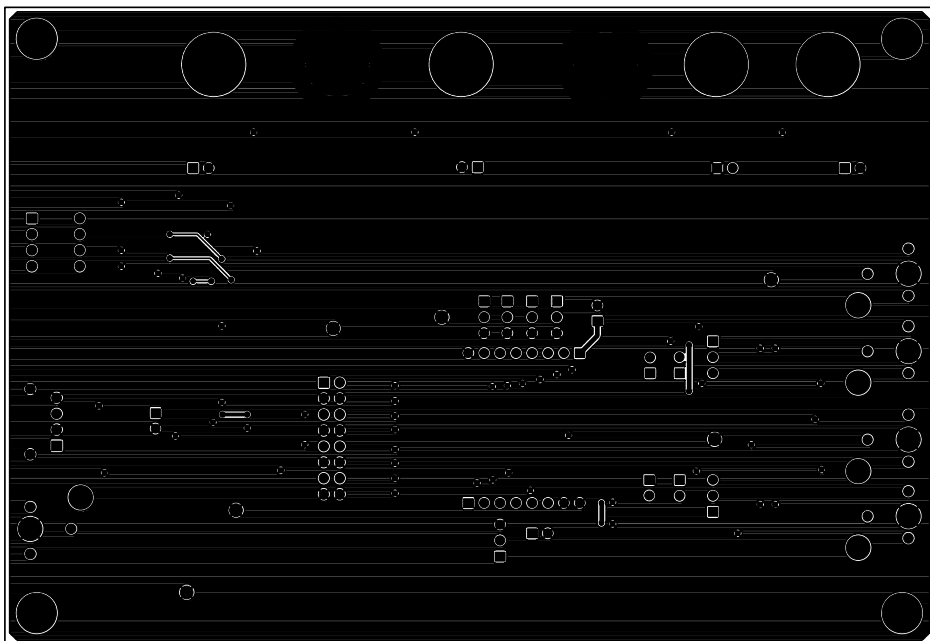


Figure 10 Bottom Layer

WM8761-EV1M

WM8761-EV1B BILL OF MATERIAL

DESCRIPTION	REFERENCE	QUANTITY
Phono Socket PCB mount RED	J11, J15	2
Phono Socket PCB mount YELLOW	J12	1
Phono Socket PCB mount WHITE	J7, J10	2
DIL Switch 4-Way Rocker	SW1	1
1.32mm PCB Test Terminal BLACK	TP1 – TP6	6
220pF 0805 SMD Ceramic Capacitor 50V X7R	C16, C35	2
0.01uF 0805 SMD Ceramic Capacitor 50V X7R	C30	1
0.1uF 0805 SMD Ceramic Capacitor 50V X7R	C1 – C4, C9, C10, C19, C21, C23 – C27, C29	14
MM74HC32 Quad 2-input OR gate SO	U2	1
4mm Non-Insulated Panel Socket 16A	J1 – J6	6
1x2 PCB Pin Header 0.1" VERTICAL	LNK8, LNK12	2
1x3 PCB Pin Header 0.1" VERTICAL	J9, J14, LNK3	3
1x8 2.54mm pitch PCB Pin Header VERTICAL	J8, J13	2
2x8 2.54mm pitch PCB Pin Header VERTICAL	H1	1
MC33078 Low Noise Dual Op-Amp SO	U6	1
0.068uF 0805 SMD Ceramic Capacitor 25V X7R	C20	1
10uF 6.3 Dia 2.5 pitch Oscon Through Hole Cap. 16V 20%	C5 – C8, C11, C13, C18, C32, C36	9
DS1812 5V Power-On-Reset chip SOT	U1	1
680pF 0805 SMD Ceramic Capacitor 50V NPO	C14, C33	2
1nF 0805 SMD Ceramic Capacitor 50V NPO	C15, C34	2
0R 0805 SMD chip resistor 1% 0.1W	R7, R26	2
0R 1206 Resistor on 1210 Inductor site	L1 - L4	4
470R 0805 SMD chip resistor 1% 0.1W	R16	1
1K8 0805 SMD chip resistor 1% 0.1W	R9, R22	2
4K7 0805 SMD chip resistor 1% 0.1W	R2, R3, R6, R11, R14, R18, R24	7
47K 0805 SMD chip resistor 1% 0.1W	R8, R21	2
100K 0805 SMD chip resistor 1% 0.1W	R1, R4, R5	3
49R9 0805 SMD chip resistor 1% 0.125W	R12, R25	2
7K5 0805 SMD chip resistor 1% 0.125W	R10, R23	2
47uH 1210 Surface Mount Inductor 'PA series'	L5	1
Hexagonal brass M3 size spacer 20mm length	P1 - P4	4
75R 0805 SMD chip resistor 1% 0.125W	R20	1
Plain M3 size washer	W1 - W2	4
Slotted Panhead Screw - M3 thread; 12mm long	SC1 - SC4	4
CS8414 96kHz Digital Audio Receiver SO	U4	1
TORX176 Digital Audio Optical Receiver	U3	1
JSK9-16-G0 PCB 1x3 Jumper Switch 0.1" Center-off VERTICAL	LNK1, LNK10	2
WM8761 Stereo DAC	U5	1

Table 9 Bill of Material

EVALUATION SUPPORT

The aim of this evaluation kit is to help you to become familiar with the functionality and performance of the WM8761 Stereo DAC.

If you require more information or require technical support please contact Wolfson Microelectronics Applications group through the following channels:

Email: apps@wolfsonmicro.com
Telephone Apps: (+44) 131 272 7070
Fax: (+44) 131 272 7001
Mail: Applications at the address on last page.

or contact your local Wolfson representative.

Additional information may be made available from time to time on our web site at:
<http://www.wolfsonmicro.com>

IMPORTANT NOTICE

Wolfson Microelectronics plc (WM) reserve the right to make changes to their products or to discontinue any product or service without notice, and advise customers to obtain the latest version of relevant information to verify, before placing orders, that information being relied on is current. All products are sold subject to the WM terms and conditions of sale supplied at the time of order acknowledgement, including those pertaining to warranty, patent infringement, and limitation of liability.

WM warrants performance of its products to the specifications applicable at the time of sale in accordance with WM's standard warranty. Testing and other quality control techniques are utilised to the extent WM deems necessary to support this warranty. Specific testing of all parameters of each device is not necessarily performed, except those mandated by government requirements.

In order to minimise risks associated with customer applications, adequate design and operating safeguards must be used by the customer to minimise inherent or procedural hazards. Wolfson products are not authorised for use as critical components in life support devices or systems without the express written approval of an officer of the company. Life support devices or systems are devices or systems that are intended for surgical implant into the body, or support or sustain life, and whose failure to perform when properly used in accordance with instructions for use provided, can be reasonably expected to result in a significant injury to the user. A critical component is any component of a life support device or system whose failure to perform can be reasonably expected to cause the failure of the life support device or system, or to affect its safety or effectiveness.

WM assumes no liability for applications assistance or customer product design. WM does not warrant or represent that any license, either express or implied, is granted under any patent right, copyright, mask work right, or other intellectual property right of WM covering or relating to any combination, machine, or process in which such products or services might be or are used. WM's publication of information regarding any third party's products or services does not constitute WM's approval, license, warranty or endorsement thereof.

Reproduction of information from the WM web site or datasheets is permissible only if reproduction is without alteration and is accompanied by all associated warranties, conditions, limitations and notices. Representation or reproduction of this information with alteration voids all warranties provided for an associated WM product or service, is an unfair and deceptive business practice, and WM is not responsible nor liable for any such use.

Resale of WM's products or services with statements different from or beyond the parameters stated by WM for that product or service voids all express and any implied warranties for the associated WM product or service, is an unfair and deceptive business practice, and WM is not responsible nor liable for any such use.

ADDRESS:

Wolfson Microelectronics plc
Westfield House
26 Westfield Road
Edinburgh
EH11 2QB
United Kingdom

Tel :: +44 (0)131 272 7000

Fax :: +44 (0)131 272 7001

Email :: apps@wolfsonmicro.com