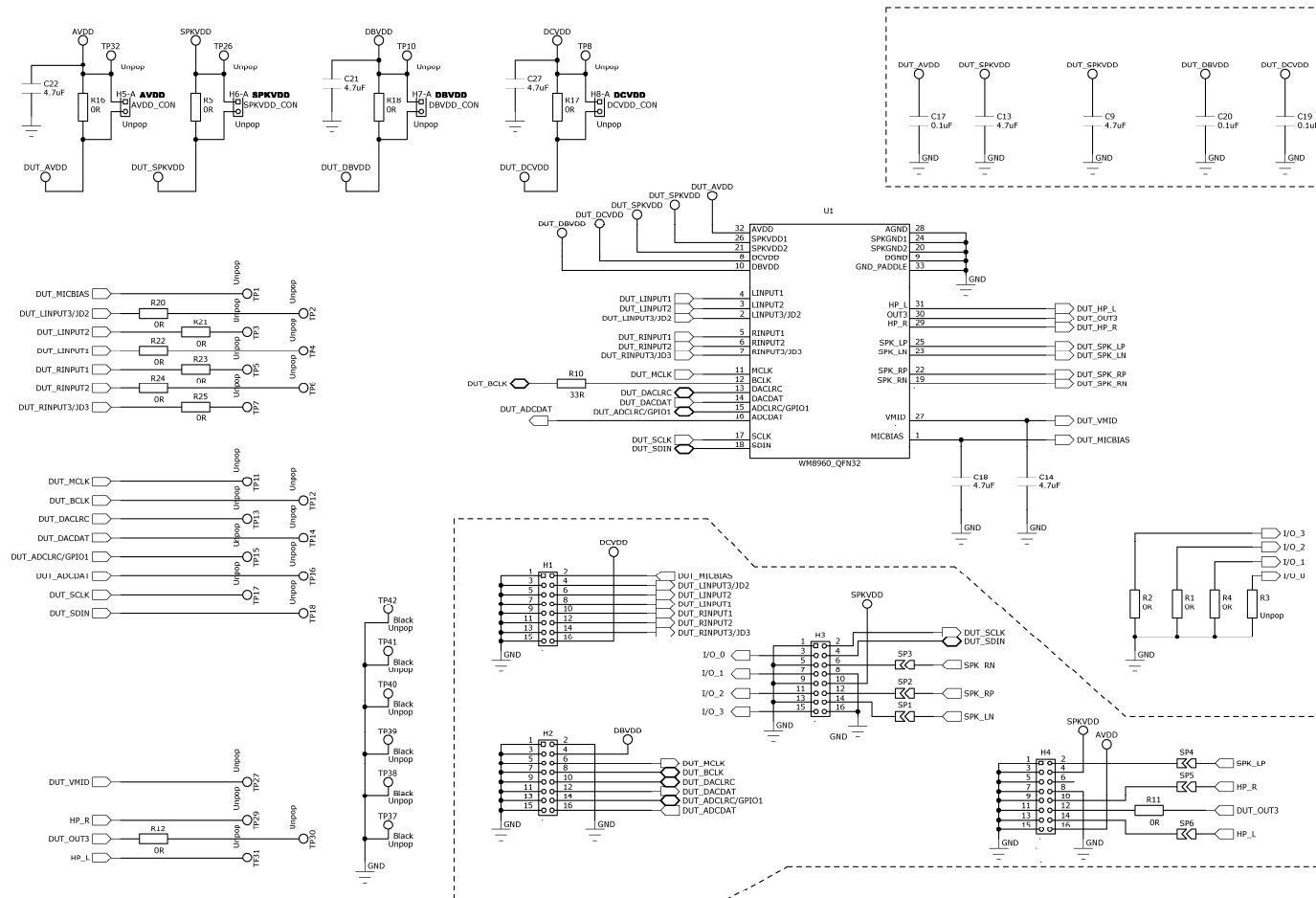


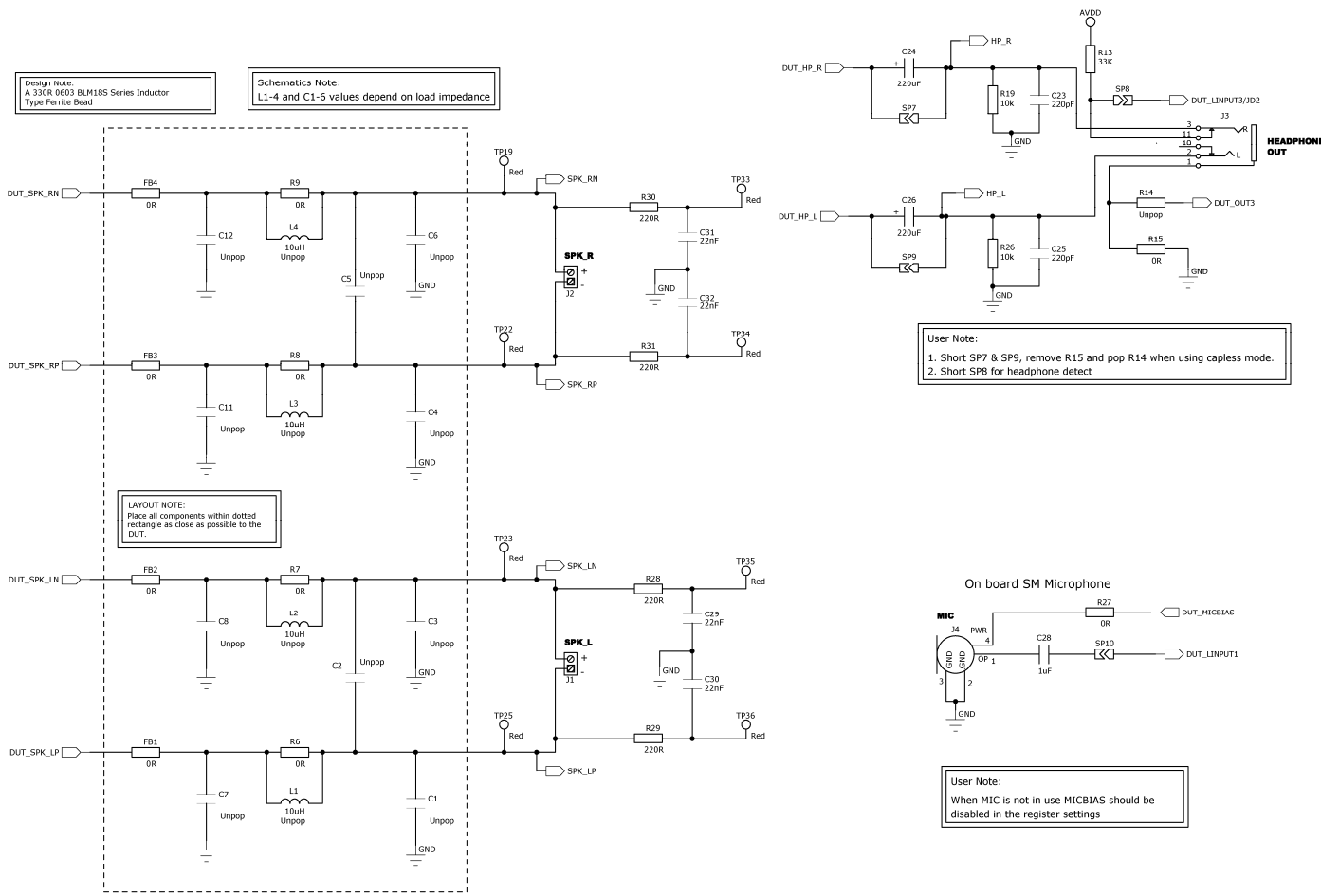
<b>DOC TYPE:</b>	SCHEMATIC AND LAYOUT
<b>BOARD REFERENCE:</b>	WM8960-6158-FL24-M-REV1
<b>BOARD TYPE:</b>	Customer Mini Board
<b>WOLFSON DEVICE(S):</b>	WM8960
<b>DATE:</b>	July 2008
<b>DOC REVISION:</b>	1.0

### Schematic

### Sheet 1: WM8960



### Sheet 2: Analogue Outputs



## Sheet 3: Reference Tables

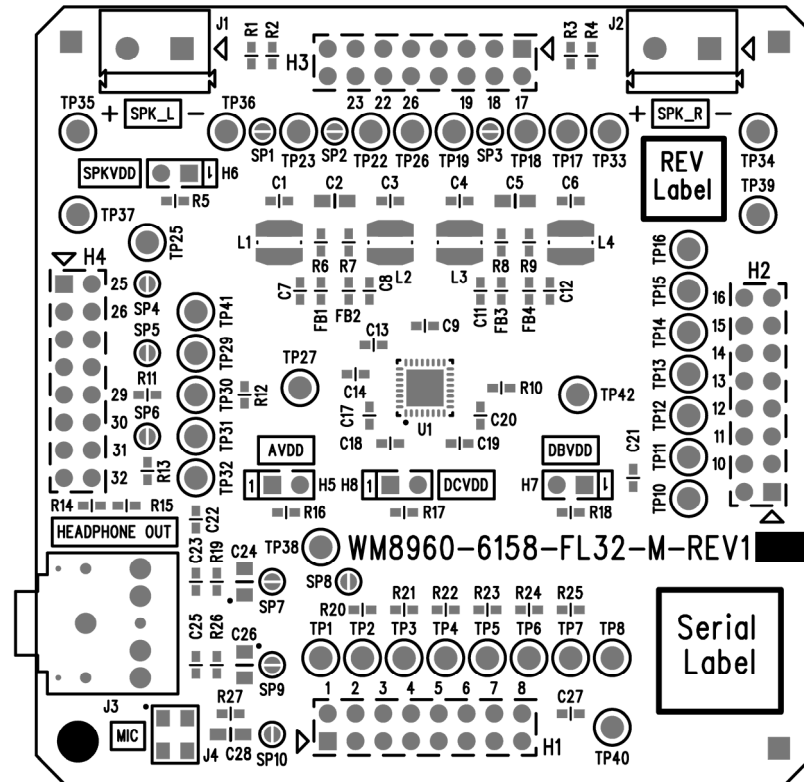
REFERENCE TABLES		
	Short	Open
H5-B	AVDD to DUT	No AVDD to DUT
PCB Ref:	AVDD_CON	
	No Fit	
	Short	Open
H6-B	SPKVDD to DUT	No SPKVDD to DUT
PCB Ref:	SPKVDD_CON	
	No Fit	
	Short	Open
H7-B	DBVDD to DUT	No DBVDD to DUT
PCB Ref:	DBVDD_CON	
	No Fit	
	Short	Open
H8-B	DCVDD to DUT	No DCVDD to DUT
PCB Ref:	DCVDD_CON	
	No Fit	

**Bill Of Materials (BOM)**

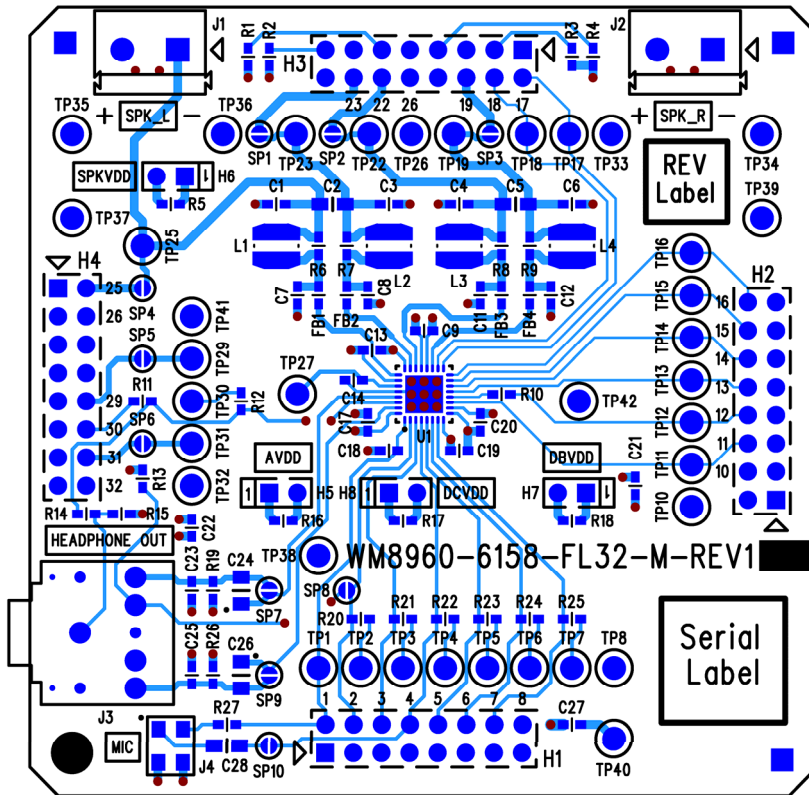
<i>Item</i>	<i>RefDes</i>	<i>Description</i>	<i>Manufacturer</i>	<i>Manufacturer's Part Number</i>
1	J3	3.5mm Jack Socket 6.5mm Centre Height	Technik Industrial	TSH-3565-PBT-TIC-T
2	J4	Silicon Surface Mount Microphone, Unamplified	Knowles Acoustics	SPM0102NE3-2
3	C9 C13 C14 C18 C21 C22 C27	4.7uF 0603 SMD Ceramic Capacitor 6.3V X5R	Murata	GRM188R60J475KE19D
4	MISC2	Lead-free label, 15mm round	Brady	805794
5	J1 J2	PCB mount 1X2 terminal block for 2.5mm wire guage	LUMBERG	KRM 02
6	C17 C19 C20	0.1uF 0603 SMD Ceramic Capacitor 16V X7R	Phycomp	06032R104K7B2
7	C23 C25	220pF 0603 SMD Ceramic Capacitor 50V NPO	AVX	06035A221JAT2A
8	TP19 TP22 TP23 TP25 TP33 TP34 TP35 TP36	1.32mm PCB Test Terminal RED	Vero	20-313141
9	C29 C30 C31 C32	22nF 1206 SMD Ceramic Capacitor 50V COG	Murata	GRM3195C1H223JA01D
10	R19 R26	10k 0603 SMD chip resistor 1% 0.063W	Multicomp	MC 0.063W 0603 1% 10K
11	R13	33k 0603 SMD chip resistor 1% 0.063W	Multicomp	MC 0.063W 0603 1% 33K
12	R10	33R 0603 SMD chip resistor 1% 0.063W	Multicomp	MC 0.063W 0603 1% 33R
13	FB1 FB2 FB3 FB4	0R 0603 SMD chip resistor 1% 0.063W	Multicomp	MC 0.063W 0603 0R
14	R1 R2 R4 R5 R6 R7 R8 R9 R11 R12 R15 R16 R17 R18 R20 R21 R22 R23 R24 R25 R27	0R 0603 SMD chip resistor 1% 0.063W	Multicomp	MC 0.063W 0603 0R
15	R28 R29 R30 R31	220R 1206 SMD chip resistor 1% 0.125W	Multicomp	MC 0.125W 1206 1% 220R
16	C28	1uF 0805 SMD Ceramic Capacitor 10V X7R	Multicomp	N0805R105KCT
17	H1 H2 H3 H4	2x8 2.54mm pitch PCB Socket Strip VERTICAL	SAMTEC	SSQ-108-02-G-D
18	C24 C26	220uF 4V SMD Tantalum Capacitor case P	Vishay	298D227X0004P2T
19	PCB1	PCB	Kelan Circuits Ltd	WM8960-6158-FL32-M-REV1
20	U1	Wolfson WM8960 Stereo CODEC 32 pin QFN	Wolfson Microelectronics	WM8960GELF/V

<i>Item</i>	<i>RefDes</i>	<i>Description</i>	<i>Manufacturer</i>	<i>Manufacturer's Part Number</i>
<b>Unpop</b>				
21	L1 L2 L3 L4	10uH Shielded SM Power 1.1A Inductor ' LPS4018 series'	Coilcraft	LPS4018-103ML
22	H5 H6 H7 H8	1x2 PCB Pin Header 0.1" VERTICAL	Harwin	M20-9990245
23	C2 C5	680nF 0805 SMD Ceramic Capacitor 50V X7R	KEMET	C0805C684K5RAC
24	C1 C3 C4 C6	220pF 0603 SMD Ceramic Capacitor 50V NPO	AVX	06035A221JAT2A
25	C7 C8 C11 C12	22pF 0603 SMD Ceramic Capacitor 50V NPO	Phycomp	2238 867 15229
26	TP37 TP38 TP39 TP40 TP41 TP42	1.32mm PCB Test Terminal BLACK	VERO	20-2136
27	R3 R14	0R 0603 SMD chip resistor 1% 0.063W	Multicomp	MC 0.063W 0603 0R
28	SP1 SP2 SP3 SP4 SP5 SP6 SP7 SP8 SP9 SP10	Surface mount shorting point	N/A	N/A
29	TP1 TP2 TP3 TP4 TP5 TP6 TP7 TP8 TP10 TP11 TP12 TP13 TP14 TP15 TP16 TP17 TP18 TP26 TP27 TP29 TP30 TP31 TP32	1.32mm off-board connection point	N/A	N/A

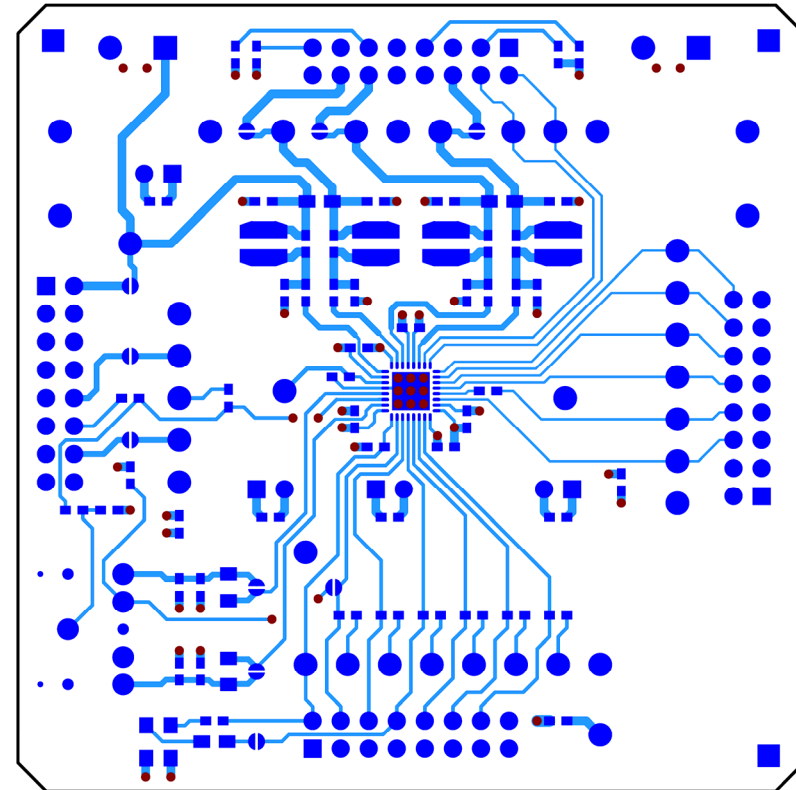
# Layout



Top Layer: Overview

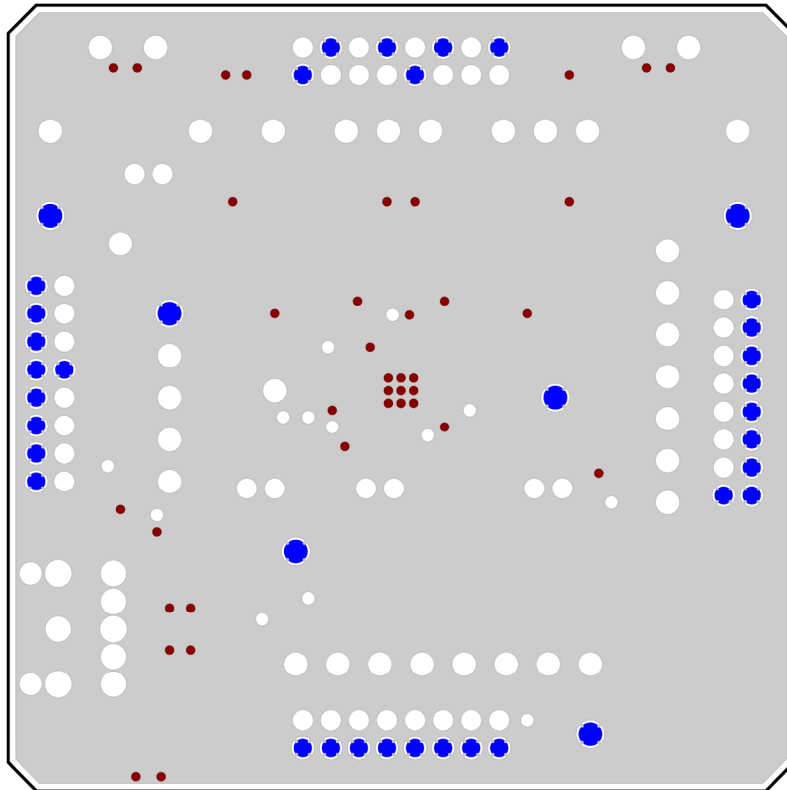


Top Layer: Silkscreen + Copper

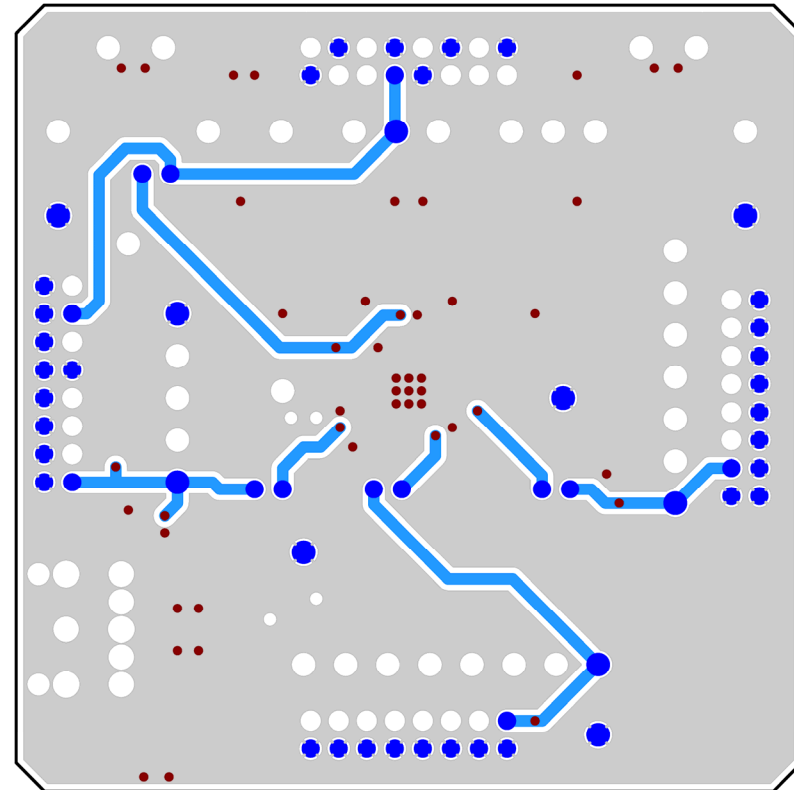


Top Layer: Copper

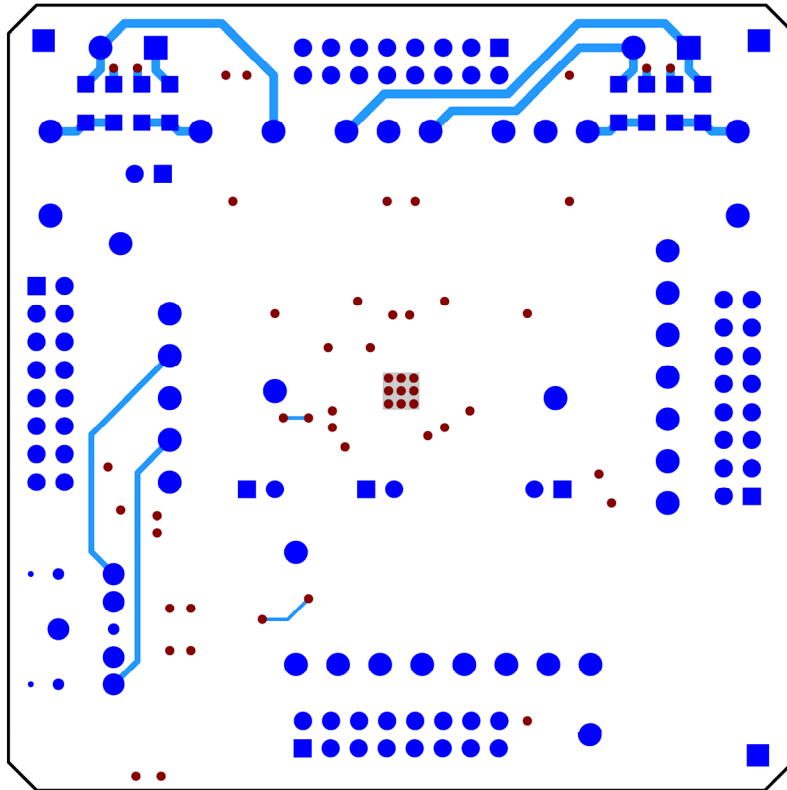




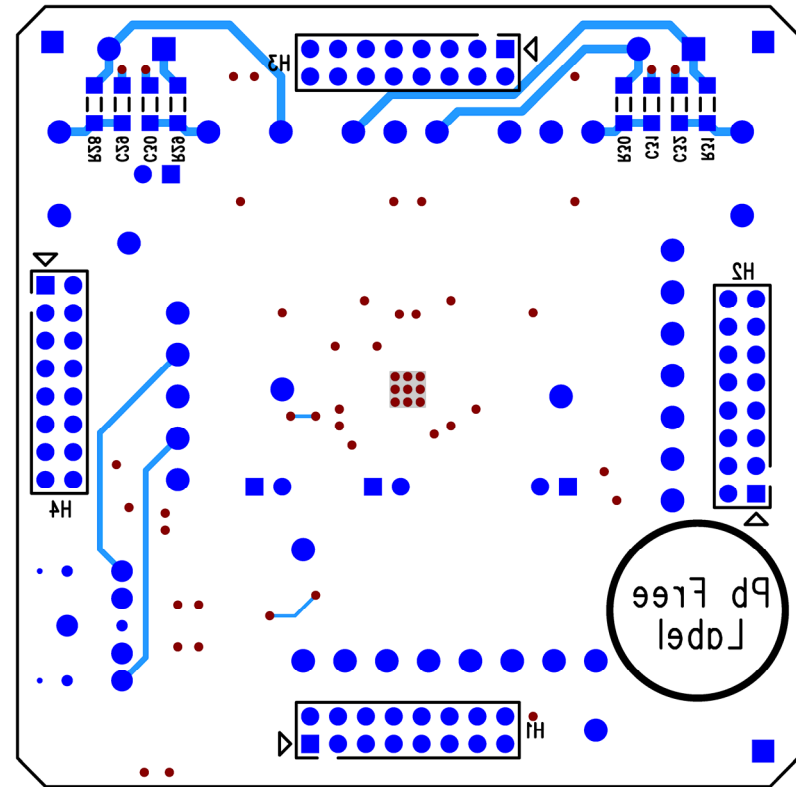
Layer 2: Copper



Layer 3: Copper



Bottom Layer: Copper



Bottom Layer: Silkscreen + Copper

## Application Support

If you require more information or require technical support, please contact the Wolfson Microelectronics Applications group through the following channels:

Email: apps@wolfsonmicro.com  
Telephone Apps: +44 (0) 131 272 7070  
Fax: +44 (0) 131 272 7001  
Mail: Applications Engineering at the address on the last page

or contact your local Wolfson representative.

Additional information may be made available on our web site at: <http://www.wolfsonmicro.com>

## Important Notice

Wolfson Microelectronics plc ("Wolfson") products and services are sold subject to Wolfson's terms and conditions of sale, delivery and payment supplied at the time of order acknowledgement.

Wolfson warrants performance of its products to the specifications in effect at the date of shipment. Wolfson reserves the right to make changes to its products and specifications or to discontinue any product or service without notice. Customers should therefore obtain the latest version of relevant information from Wolfson to verify that the information is current.

Testing and other quality control techniques are utilised to the extent Wolfson deems necessary to support its warranty. Specific testing of all parameters of each device is not necessarily performed unless required by law or regulation.

In order to minimise risks associated with customer applications, the customer must use adequate design and operating safeguards to minimise inherent or procedural hazards. Wolfson is not liable for applications assistance or customer product design. The customer is solely responsible for its selection and use of Wolfson products. Wolfson is not liable for such selection or use nor for use of any circuitry other than circuitry entirely embodied in a Wolfson product.

Wolfson's products are not intended for use in life support systems, appliances, nuclear systems or systems where malfunction can reasonably be expected to result in personal injury, death or severe property or environmental damage. Any use of products by the customer for such purposes is at the customer's own risk.

Wolfson does not grant any licence (express or implied) under any patent right, copyright, mask work right or other intellectual property right of Wolfson covering or relating to any combination, machine, or process in which its products or services might be or are used. Any provision or publication of any third party's products or services does not constitute Wolfson's approval, licence, warranty or endorsement thereof. Any third party trade marks contained in this document belong to the respective third party owner.

Reproduction of information from Wolfson datasheets is permissible only if reproduction is without alteration and is accompanied by all associated copyright, proprietary and other notices (including this notice) and conditions. Wolfson is not liable for any unauthorised alteration of such information or for any reliance placed thereon.

Any representations made, warranties given, and/or liabilities accepted by any person which differ from those contained in this datasheet or in Wolfson's standard terms and conditions of sale, delivery and payment are made, given and/or accepted at that person's own risk. Wolfson is not liable for any such representations, warranties or liabilities or for any reliance placed thereon by any person.

**ADDRESS:**

Wolfson Microelectronics plc  
Westfield House  
26 Westfield Road  
Edinburgh  
EH11 2QB  
United Kingdom  
Tel :: +44 (0)131 272 7000  
Fax :: +44 (0)131 272 7001