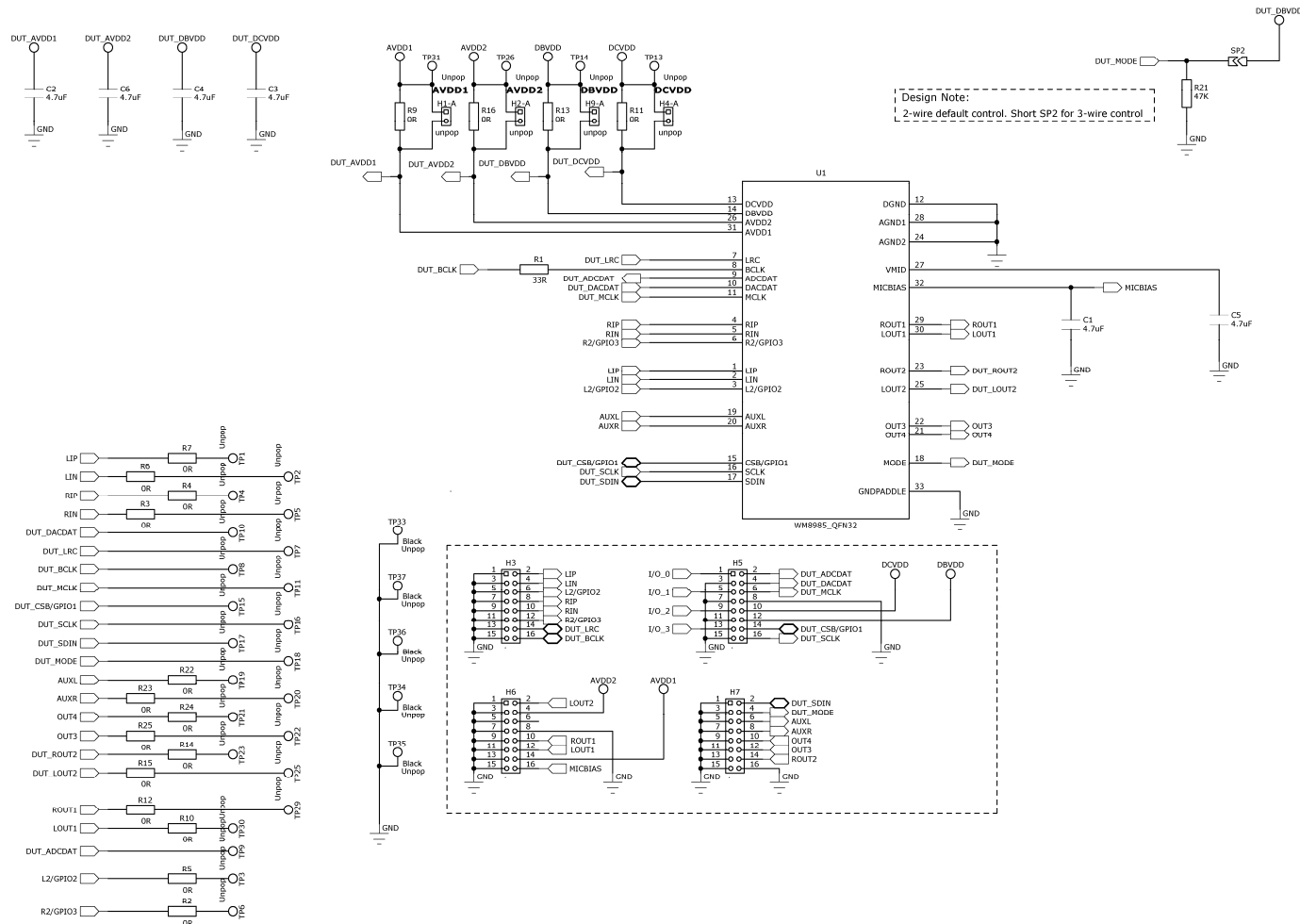


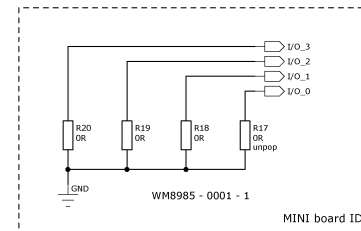
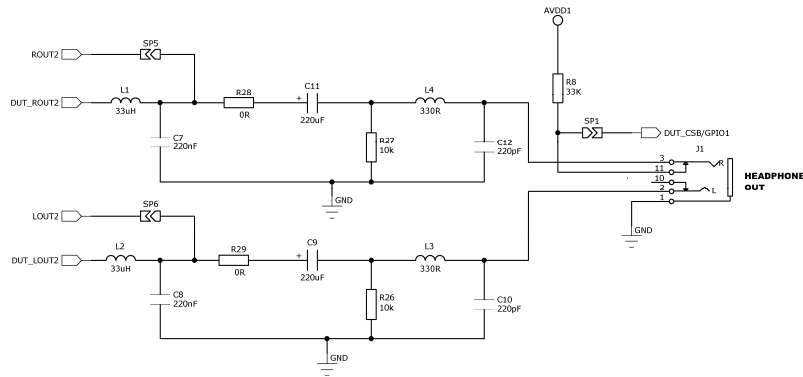
<b>DOC TYPE:</b>	SCHEMATIC AND LAYOUT
<b>BOARD REFERENCE:</b>	WM8985-6160-FL32-M-REV2
<b>BOARD TYPE:</b>	Customer Mini Board
<b>WOLFSON DEVICE(S):</b>	WM8985
<b>DATE:</b>	August 2008
<b>DOC REVISION:</b>	Rev 1.0

### Sheet 1: WM8985



### Sheet 2: Analogue Output

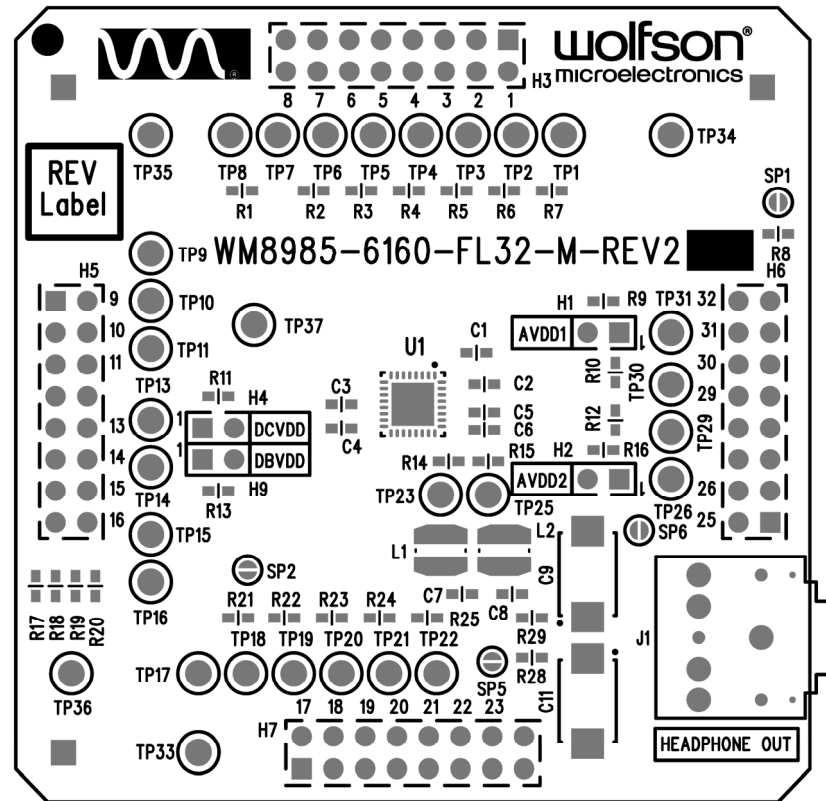
WHEN USING HP OR PHONO SOCKETS ON MAIN BOARD REMOVE R28 & R29 AND SHORT SP5 & SP6.



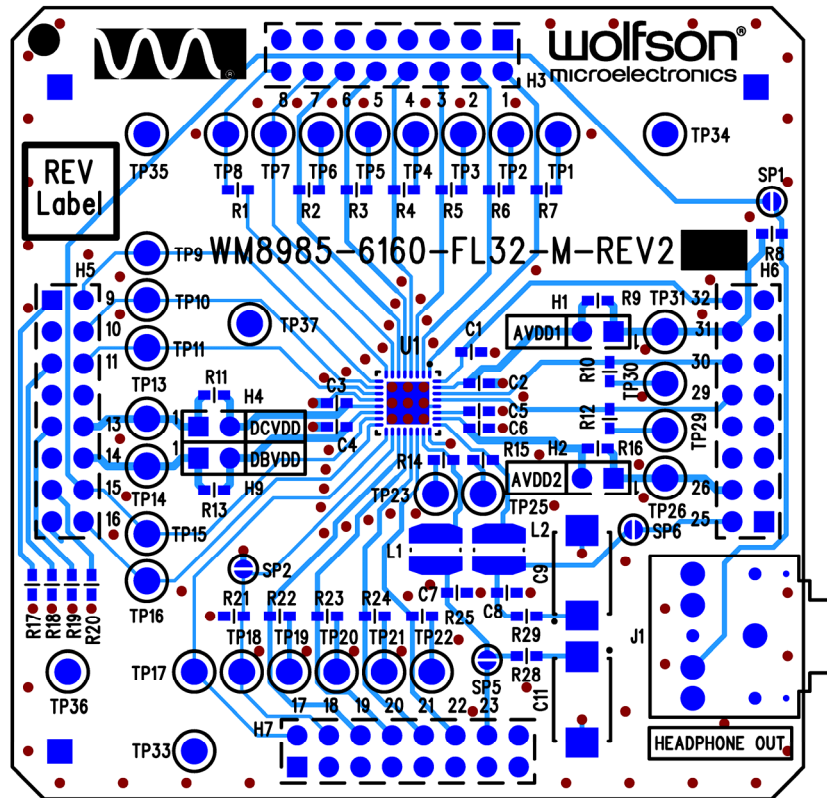
**BILL OF MATERIALS (BOM)**

<i>Item</i>	<i>RefDes</i>	<i>Description</i>	<i>Manufacturer</i>	<i>Manufacturer's Part Number</i>
1	L1 L2	33uH Shielded SM Inductor 0.7R	Coilcraft	LPS4012-333ML
2	J1	3.5mm Jack Socket 6.5mm Centre Height	Technik Industrial	TSH-3565-PBT-TIC-T
3	C7 C8	220nF 0603 SMD Ceramic Capacitor 10V X7R	Murata	GRM188R71A224KA01D
4	C1 C2 C3 C4 C5 C6	4.7uF 0603 SMD Ceramic Capacitor 6.3V X5R	Murata	GRM188R60J475KE19D
5	L3 L4	330R 0603 BLM18S Series Inductor Type Ferrite Bead	Murata	BLM18SG331TN1D
6	MSC2	Lead-free label, 15mm round	Brady	805794
7	C9 C11	Tantalum Capacitor SMD-D 220uF - 10V - AVX	AVX	TAJD227K010R
8	C10 C12	220pF 0603 SMD Ceramic Capacitor 50V NPO	AVX	06035A221JAT2A
9	R26 R27	10k 0603 SMD chip resistor 1% 0.063W	Multicomp	MC 0.063W 0603 1% 10K
10	R8	33k 0603 SMD chip resistor 1% 0.063W	Multicomp	MC 0.063W 0603 1% 33K
11	R1	33R 0603 SMD chip resistor 1% 0.063W	Multicomp	MC 0.063W 0603 1% 33R
12	R21	47K 0603 SMD chip resistor 1% 0.063W	Multicomp	MC 0.063W 0603 1% 47K
13	R2 R3 R4 R5 R6 R7 R9 R10 R11 R12 R13 R14 R15 R16 R18 R19 R20 R22 R23 R24 R25 R28 R29	0R 0603 SMD chip resistor 1% 0.063W	Multicomp	MC 0.063W 0603 0R
14	H3 H5 H6 H7	2x8 2.54mm pitch PCB Socket Strip VERTICAL	SAMTEC	SSQ-108-02-G-D
15	PCB1	PCB	Kelan Circuits Ltd	WM8985-6160-FL32-M-REV2
16	U1	WM8985 Multimedia CODEC with Class D Headphone and Line Out	Wolfson Microelectronics	WM8985GEFL
<b>Unpop</b>				
17	H1 H2 H4 H9	1x2 PCB Pin Header 0.1" VERTICAL	Harwin	M20-9990245
18	TP33 TP34 TP35 TP36 TP37	1.32mm PCB Test Terminal BLACK	VERO	20-2136
19	R17	0R 0603 SMD chip resistor 1% 0.063W	Multicomp	MC 0.063W 0603 0R
20	SP1 SP2 SP5 SP6	Surface mount shorting point	N/A	N/A
21	TP1 TP2 TP3 TP4 TP5 TP6 TP7 TP8 TP9 TP10 TP11 TP13 TP14 TP15 TP16 TP17 TP18 TP19 TP20 TP21 TP22 TP23 TP25 TP26 TP29 TP30 TP31	1.32mm off-board connection point	N/A	N/A

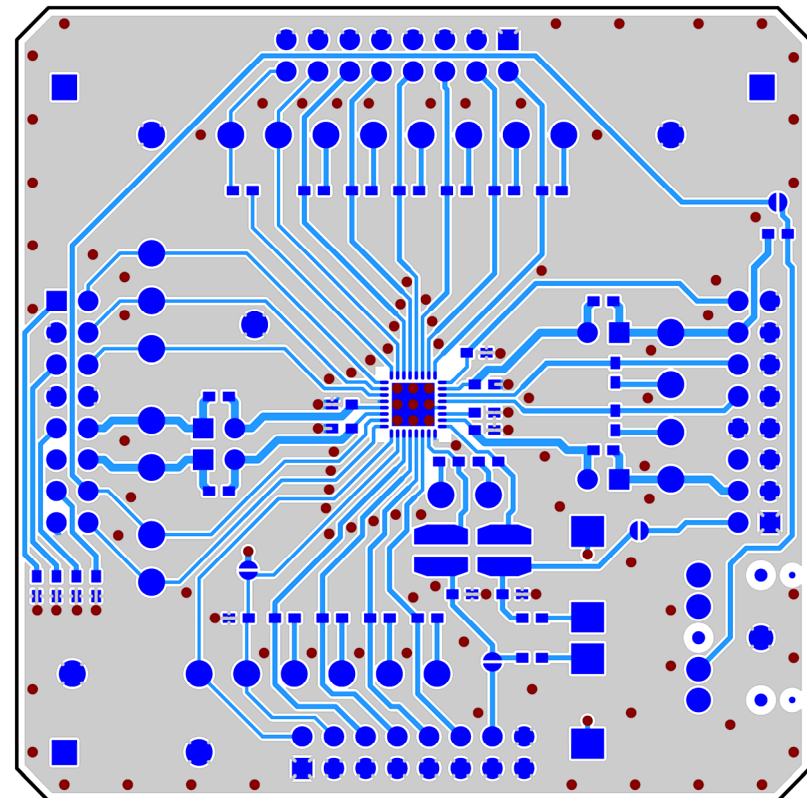
**PCB LAYOUT**



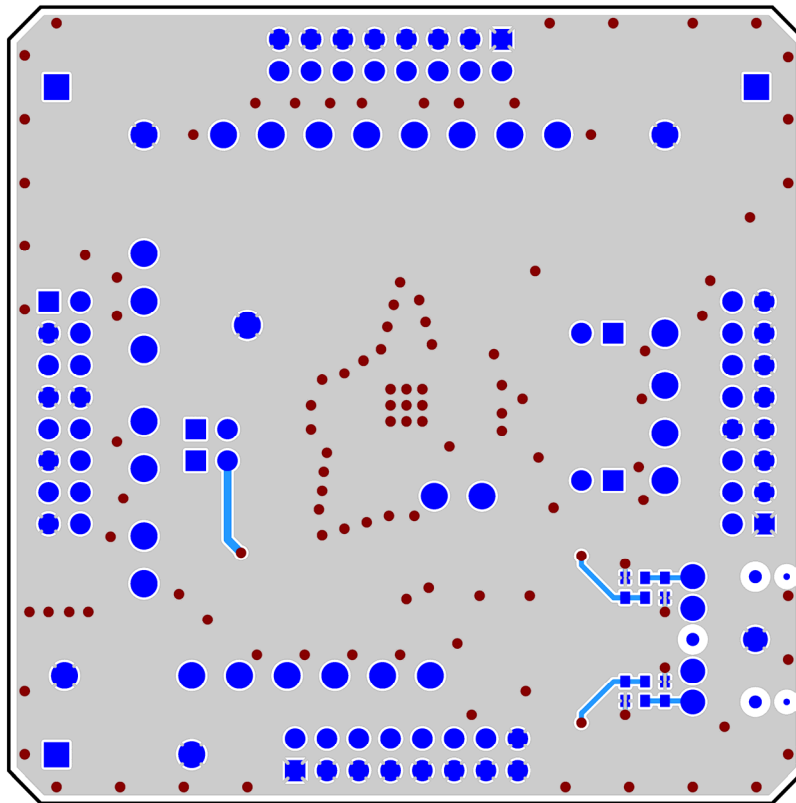
Top Layer: Overview



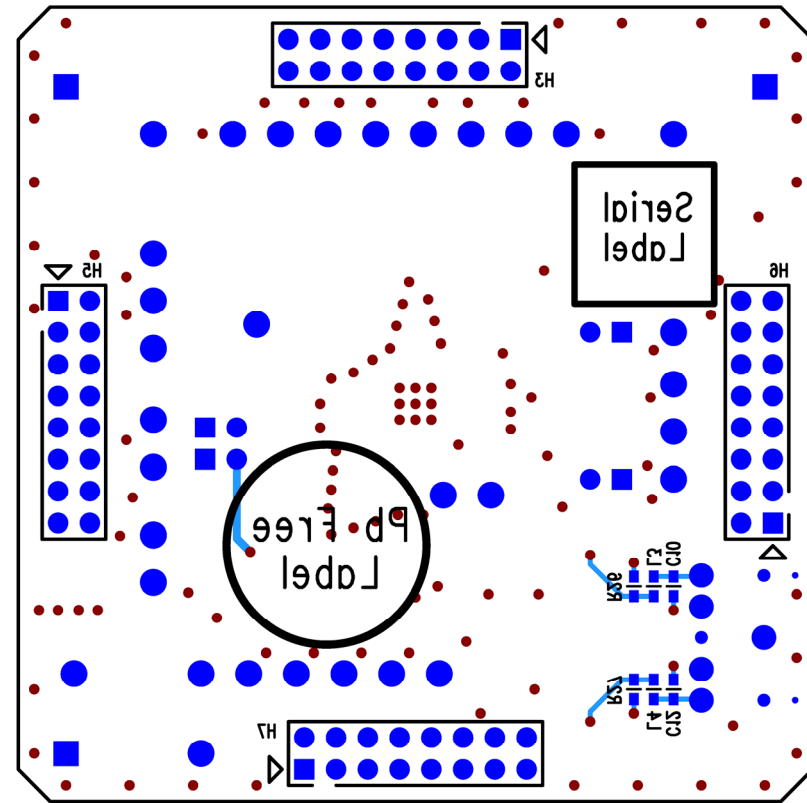
Top Layer: Silkscreen + Copper



Top Layer: Copper



Bottom Layer: Copper



Bottom Layer: Silkscreen + Copper

## **APPLICATION SUPPORT**

If you require more information or require technical support, please contact the Wolfson Microelectronics Applications group through the following channels:

Email: apps@wolfsonmicro.com  
Telephone Apps: +44 (0) 131 272 7070  
Fax: +44 (0) 131 272 7001  
Mail: Applications Engineering at the address on the last page

or contact your local Wolfson representative.

Additional information may be made available on our web site at: <http://www.wolfsonmicro.com>



## IMPORTANT NOTICE

Wolfson Microelectronics plc (“Wolfson”) products and services are sold subject to Wolfson’s terms and conditions of sale, delivery and payment supplied at the time of order acknowledgement.

Wolfson warrants performance of its products to the specifications in effect at the date of shipment. Wolfson reserves the right to make changes to its products and specifications or to discontinue any product or service without notice. Customers should therefore obtain the latest version of relevant information from Wolfson to verify that the information is current.

Testing and other quality control techniques are utilised to the extent Wolfson deems necessary to support its warranty. Specific testing of all parameters of each device is not necessarily performed unless required by law or regulation.

In order to minimise risks associated with customer applications, the customer must use adequate design and operating safeguards to minimise inherent or procedural hazards. Wolfson is not liable for applications assistance or customer product design. The customer is solely responsible for its selection and use of Wolfson products. Wolfson is not liable for such selection or use nor for use of any circuitry other than circuitry entirely embodied in a Wolfson product.

Wolfson’s products are not intended for use in life support systems, appliances, nuclear systems or systems where malfunction can reasonably be expected to result in personal injury, death or severe property or environmental damage. Any use of products by the customer for such purposes is at the customer’s own risk.

Wolfson does not grant any licence (express or implied) under any patent right, copyright, mask work right or other intellectual property right of Wolfson covering or relating to any combination, machine, or process in which its products or services might be or are used. Any provision or publication of any third party’s products or services does not constitute Wolfson’s approval, licence, warranty or endorsement thereof. Any third party trade marks contained in this document belong to the respective third party owner.

Reproduction of information from Wolfson datasheets is permissible only if reproduction is without alteration and is accompanied by all associated copyright, proprietary and other notices (including this notice) and conditions. Wolfson is not liable for any unauthorised alteration of such information or for any reliance placed thereon.

Any representations made, warranties given, and/or liabilities accepted by any person which differ from those contained in this datasheet or in Wolfson’s standard terms and conditions of sale, delivery and payment are made, given and/or accepted at that person’s own risk. Wolfson is not liable for any such representations, warranties or liabilities or for any reliance placed thereon by any person.

**ADDRESS:**

Wolfson Microelectronics plc  
Westfield House  
26 Westfield Road  
Edinburgh  
EH11 2QB  
United Kingdom  
Tel :: +44 (0)131 272 7000  
Fax :: +44 (0)131 272 7001  
Email :: [apps@wolfsonmicro.com](mailto:apps@wolfsonmicro.com)